

## THE VAPROSHIELD SYSTEMS APPROACH

VaproShield promotes a systems approach to building envelope design, incorporating Breathable Membranes for roofs and walls, Rain Screen Design Components and 3D Window Flashing Elements resulting in High Performance Building Envelope Solutions.

Complete System of Breathable Membranes + Rain Screen Design Components + 3D Window Flashing Elements = High Performance Building Envelope Solutions

**WrapShield HS** is an innovative and affordable weather resistive air barrier membrane with a three-dimensional drainage cavity bonded directly to **WrapShield**. Applying **WrapShield HS** creates a secondary line of defense allowing moisture/vapor diffusion to the building exterior while also allowing liquid/water to drain from the building envelope, reducing the damaging effects of mold, mildew and rot.

### Affordable

- Save labor time and material expense by installing a drainage plane and water resistive air barrier simultaneously.

### Air Barrier

- **WrapShield HS** can be used as part of an overall air barrier solution. Apply Dow Corning<sup>®</sup> 758 Adhesive Sealant at the vertical and horizontal seams to create an airtight seal and have a vapor permeable weather resistive barrier with rain screen cavity to reduce mold, mildew and rot.

### Drying Capacity

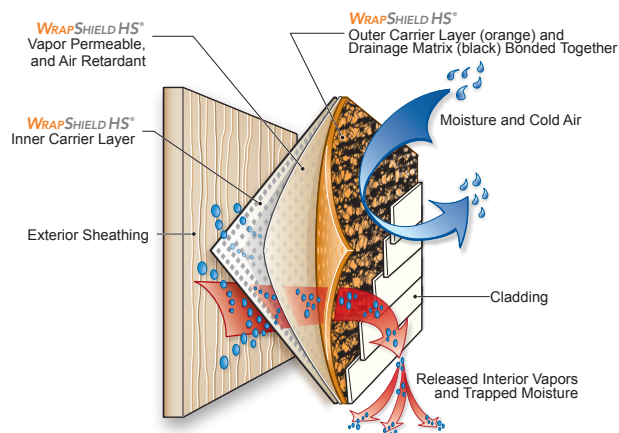
- **WrapShield HS** forms a three-dimensional drainage cavity, allowing air flow behind the cladding increasing drying speed and capacity.

### Compatibility

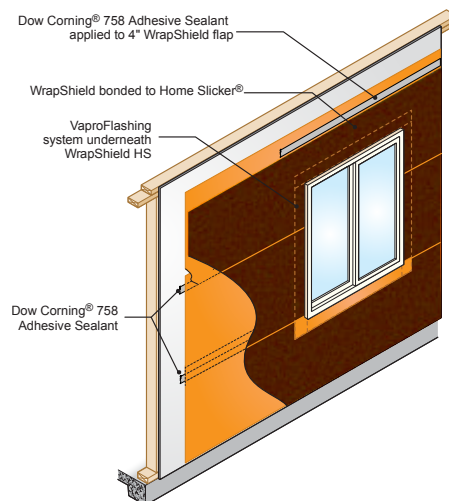
- Compatible with a number of systems: wood, fiber-cement, brick veneer, stone veneer, metal panels, stucco, vinyl and windows both flanged and non-flanged. Contact VaproShield Technical Support for additional compatibility and detail support: 1.866.731.7663.
- Suitable for use in commercial, institutional, health care facilities, mixed-use and high-end residential construction.

### Environmental Sustainability

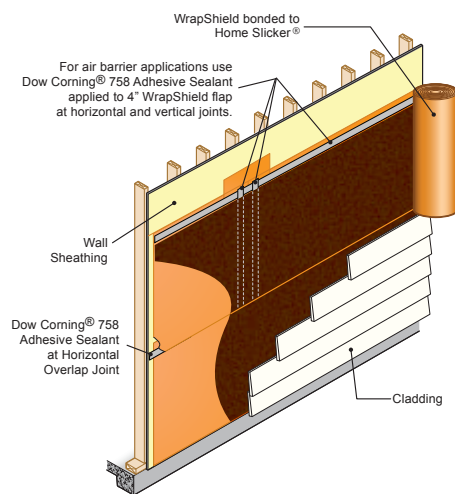
- Contributes to LEED points in Indoor Environmental Quality.
- Visit [www.VaproShield.com](http://www.VaproShield.com) for specific LEED information.



**WRAPSHIELD HS**<sup>®</sup>  
Water Resistive Air Barrier Membrane Construction



Reduce installation time by applying two moisture management products at once. Ensure an airtight seal by affixing **WrapShield HS** with Dow Corning 758 Adhesive Sealant.

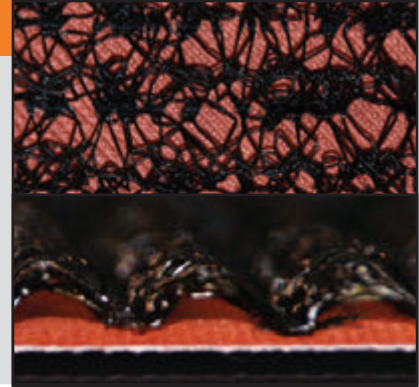


Applying **WrapShield HS** creates a secondary line of defense allowing moisture/vapor diffusion to the building exterior while also allowing liquid/water to drain from the building envelope, reducing the damaging effects of mold, mildew and rot.

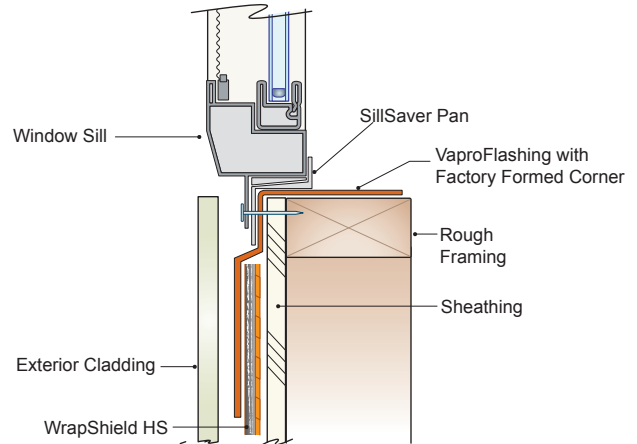
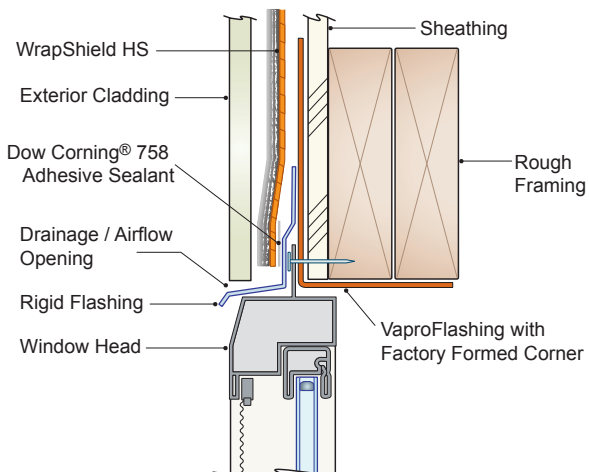
Home Slicker is a registered trademark of Benjamin Obdyke Inc.

**Specifications – WrapShield HS**

Thickness	1/4" (6mm) ; 3/8" (10mm)
Weight	23lbs (10.4kg) ; 29lbs (13kg)
Width	WrapShield 44" (1.1m) ; HomeSlicker 39.37" (1m)
Margin/Flap	4.63" (118mm) on one side
Roll Size	77' (23.5m) long
Coverage	253 ft <sup>2</sup> (23.5m <sup>2</sup> ) per roll

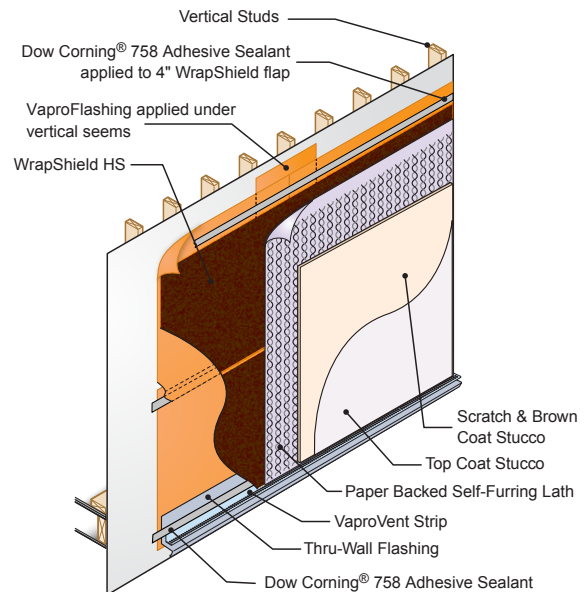
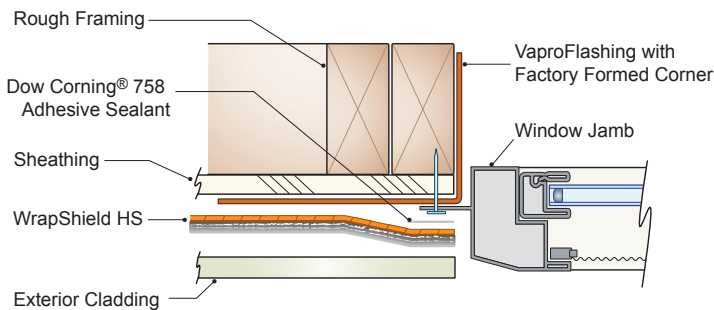


**RAIN SCREEN DESIGN APPLICATION**



**Standard Window Head Application Detail**

**Standard Window Sill Application Detail**



**Standard Window Jamb Application Detail**

**Compatible with many cladding systems including stucco (shown)**

To learn more about WrapShield HS details and installation instructions visit our website [www.VaproShield.com](http://www.VaproShield.com).  
To order WallShield HS please call VaproShield at (1) 866-731-7663