

Support Systems for Rooftop Building Services

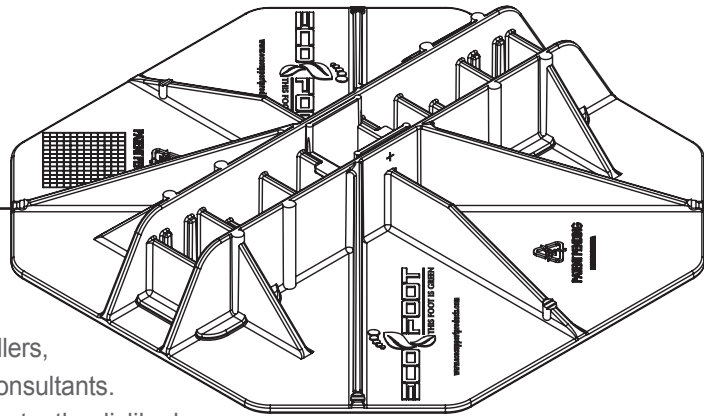


PROTECT THE ROOF.
PROTECT THE WARRANTY.
PROTECT THE ENVIRONMENT.



Why EcoFoot?

The design of the EcoFoot was derived from necessity. Our design team consulted with members of the trade; including: equipment installers, contractors, mechanical engineers and roofing consultants. We asked them what they liked, and more importantly, disliked about the current support products they used. The feedback was unanimous.



Every user wanted a more versatile support, providing more options and easier installation. An overwhelming majority wanted a product that was locally manufactured and eco-friendly. This led to the design of the EcoFoot.

Our engineering team designed a support with a larger overall dimension than the marketplace standard – providing greater rooftop protection and added stability. With the adaptability of threaded rod and unistrut, both horizontal and vertical adaptations are easily attainable. The possibilities of the EcoFoot are endless.

The greatest downfall of non-penetrative supports is the applicability of wind-loading and seismic-loading capabilities. So, our team has designed a solution.

With increased market pressure for low cost support solutions, many manufacturers resort to sourcing their products off-shore. We proudly support our local economy by sourcing, designing and building every EcoFoot from North American raw materials, in North America.

We were not just satisfied with only supporting our local economy, we also wanted to protect our environment. Utilizing recycled materials is a staple in the manufacturing process. However, we've gone even further in utilizing cleaner production methods, producing less waste, using fewer chemicals.

EcoFoot is the wise choice! Protect the roof. Protect the warranty. Protect the environment.

*Canadian made.
Canadian assembled.
Canadian proud.*





EcoFoot – Quick Frame

for supporting cable tray, pipework systems and ductwork runs

DESCRIPTION:

The Quick Frame is designed with simplicity in mind. It's built to accommodate standard 1/2" threaded rod, or 1-5/8" strut off the shelf. Installers can customize their required support on site. This allows for the most flexible solutions and ease of setup.

The non-penetrative design spreads out the weight load, keeping the roofing membrane safe and decking/insulation below free of damage.

For installations requiring seismic bracing or extreme wind loading, the EcoFoot Seismic Kit can be used to secure the base safely to the rooftop while satisfying requirements and producing a safe, secure water-tight seal to avoid roof leaks.

SPECIFICATION REFERENCE:

Product to be supported on EcoFoot Quick Frame support kits, designed to accept 1-5/8" x 1-5/8" strut, complete with 17-1/2" x 17-1/2" non-penetrative UV stabilized bases. Product is North American engineered and manufactured from local raw materials in an eco-friendly method, minimizing waste and environmental impact. EcoFoot Quick Frame to rest on North American manufactured UV stabilized recycled pre-polymer bound rubber mats. Quick Frame supplied with galvanized finish pre-formed brackets and fixings of mild steel with hot dip galvanized finish. Quick Frame is non-penetrative and is designed to avoid roof membrane penetration.

EACH KIT INCLUDES:

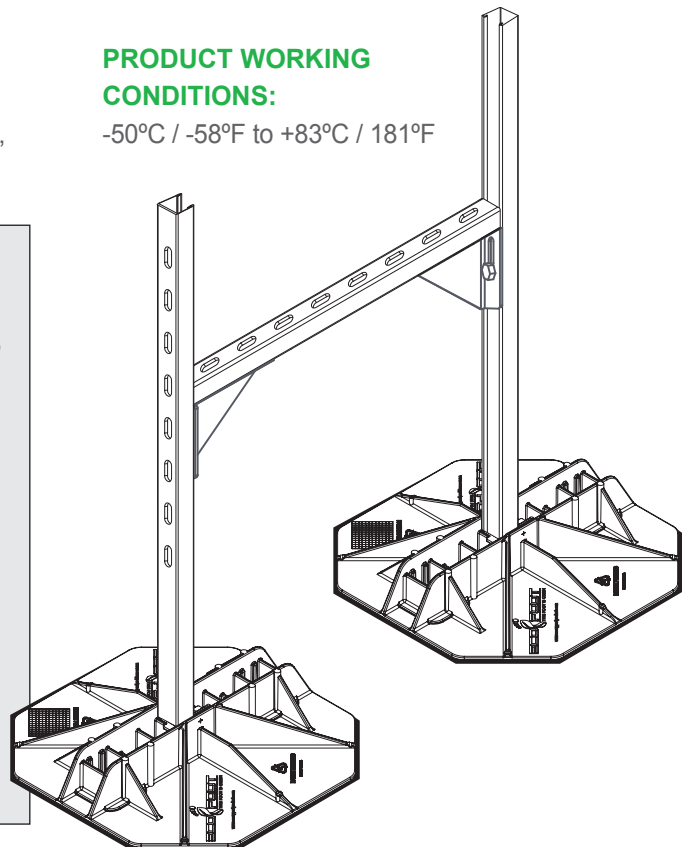
- (2) Injection moulded feet
- (2) Anti-vibration mats
- (2) Strut base caps
- (2) 90° strut brackets
- (4) Spring nuts
- (4) 1/2" bolts
- (Strut not included)

DIMENSIONS:

17-1/2" x 17-1/2" x 3" (L x W x H)

PRODUCT WORKING CONDITIONS:

-50°C / -58°F to +83°C / 181°F





EcoFoot – EcoFrame

for supporting VRV/VRF and other HVAC units

DESCRIPTION:

The EcoFrame is designed to securely support all types of equipment on membrane roofs without the need for cutting holes, pouring concrete bases or making any modifications to the roofing membrane.

This method is not only less labour intensive, but also a much more versatile solution for onsite modifications and fine adjustments.

Each leg is height adjustable to account for unlevel roof surfaces, ensuring the equipment sits level for optimum operation. The design of the saddle-style expansion joint allows for easy modification for larger equipment, or future adjustments.

The non-penetrative design spreads out the weight load, keeping the roofing membrane safe and decking/insulation below free of damage.

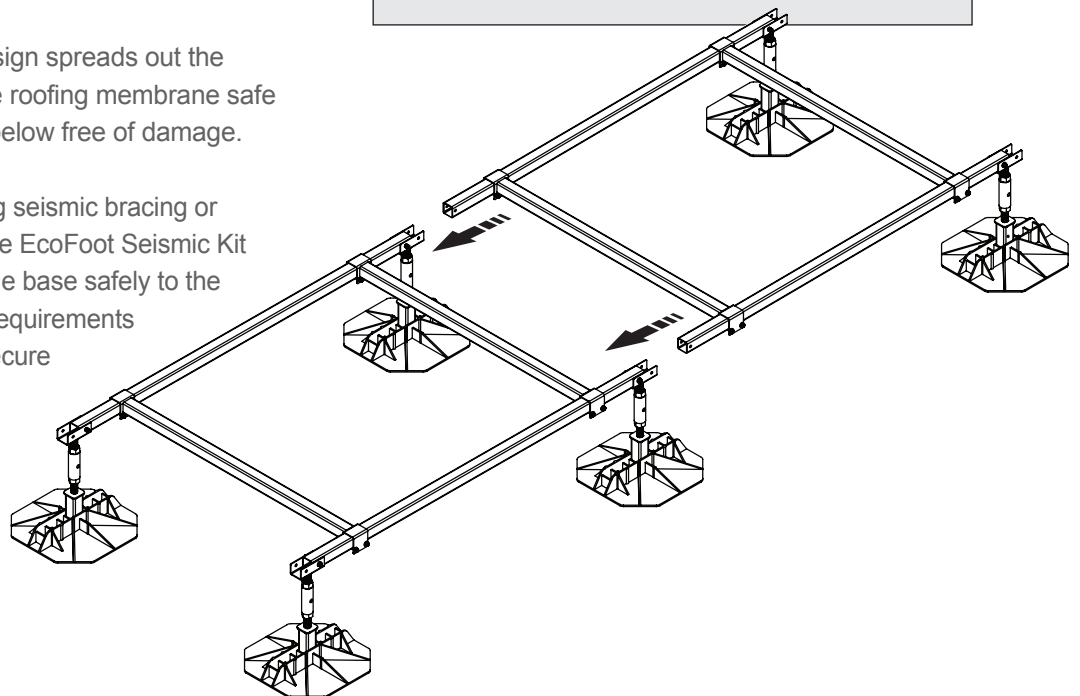
For installations requiring seismic bracing or extreme wind loading, the EcoFoot Seismic Kit can be used to secure the base safely to the rooftop while satisfying requirements and producing a safe, secure water-tight seal to avoid roof leaks.

PRODUCT WORKING CONDITIONS:

-50°C / -58°F to
+83°C / 181°F

SPECIFICATION REFERENCE:

Product to be supported on EcoFrame support framework. Metal framework construction of 2" x 2" square tube mild steel with hot dip galvanized finish, including height adjustable leg assemblies and fittings supported by 17.5" x 17.5" non-penetrative UV stabilized EcoFoot bases. Product is North American engineered and manufactured from local raw materials in an eco-friendly method, minimizing waste and environmental impact. EcoFoot bases to rest on North American manufactured UV stabilized recycled pre-polymer bound rubber mats. Product supplied flat packed with assembly instructions. EcoFrame is non-penetrative and is designed to avoid roof membrane penetration.





EcoFoot – Heavy Frame

for large equipment, chillers etc.

DESCRIPTION:

The EcoFoot Heavy Frame is designed for the heaviest of support requirements. It's the solution to avoiding the need for concrete casting during construction.

The EcoFoot Heavy Frame can accommodate I-beams as a rail support for large equipment.

Each leg is height adjustable to account for unlevel roof surfaces, ensuring the equipment sits level for optimum operation.

For installations requiring seismic bracing or extreme wind loading, the EcoFoot Seismic Kit can be used to secure the base safely to the rooftop while satisfying requirements and producing a safe, secure water-tight seal to avoid roof leaks.

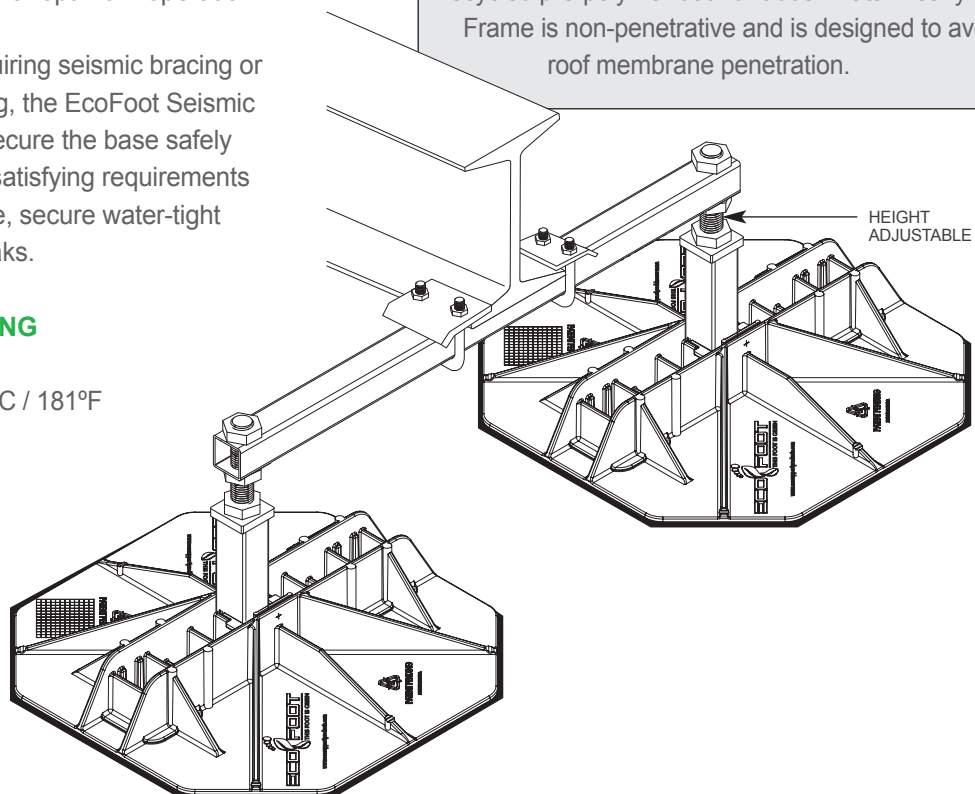
PRODUCT WORKING

CONDITIONS:

-50°C / -58°F to +83°C / 181°F

SPECIFICATION REFERENCE:

Product to be supported on EcoFoot Heavy Frame. Metal framework construction of 2" x 2" square tube mild steel with hot dip galvanized finish, including height adjustable leg assemblies and fittings supported by 17.5" x 17.5" non-penetrative UV stabilized EcoFoot bases. Product is North American engineered and manufactured from local raw materials in an eco-friendly method, minimizing waste and environmental impact. EcoFoot bases to rest on North American manufactured UV stabilized recycled pre-polymer bound rubber mats. Heavy Frame is non-penetrative and is designed to avoid roof membrane penetration.





EcoFoot – Seismic Kit

the solution for seismic and wind loading installations

DESCRIPTION:

The EcoFoot Seismic Kit is designed for installations that cannot accommodate non-penetrative supports to satisfy code. The design creates a protective seal in 3 points – the perimeter, the bottom and the penetration. Using 4 steps, a safe, simple, leak free seismic solution can be achieved.

EACH KIT INCLUDES:

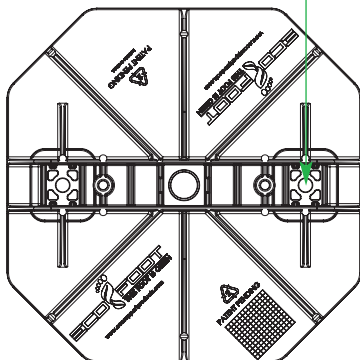
- (2) Injection moulded feet
- (2) Strut base caps
- (2) 90° strut brackets
- (4) Spring nuts
- (1) Rubber sealant pack

DIMENSIONS:

17-1/2" x 17-1/2" x 3" (L x W x H)

PRODUCT WORKING CONDITIONS:

-50°C / -58°F to
+83°C / 181°F



SPECIFICATION INSTRUCTIONS:

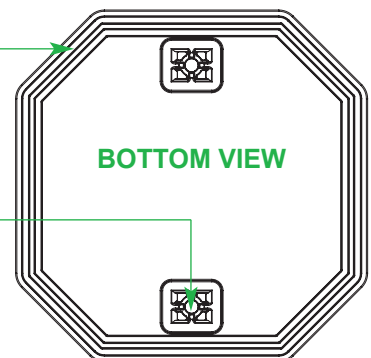
The kit is designed to be secured to the structure in **5 simple steps** to create a safe and leak-free solution.

STEP 1

Fill both grooves on base of EcoFoot with silicone.

STEP 2

Use 1/2" diameter bolts to secure the base to the roof structure below the surface.



STEP 3

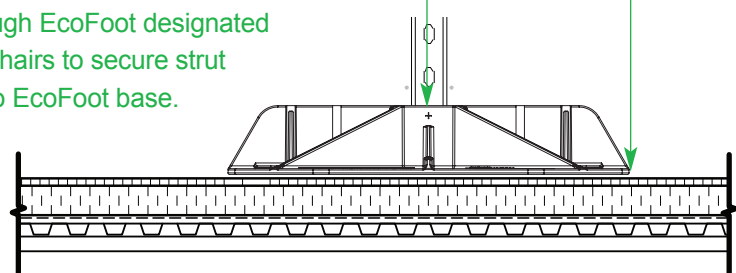
Pour the provided sealant through the designed pour slots to create a flexible, watertight seal.

STEP 4

Run a silicone bead around the lower perimeter, sealing the outer edge to the rooftop surface.

STEP 5

Drill through EcoFoot designated crosshairs to secure strut to EcoFoot base.





EcoFoot – Safety Stairs

for safe access over existing equipment and services

DESCRIPTION:

The EcoFoot Safety Stairs are designed to provide safe access over rooftop equipment and services.

Designed for simple installation and rapid assembly, the EcoFoot Safety Stairs take less than an hour to completely assemble. The only tool required is an adjustable wrench.

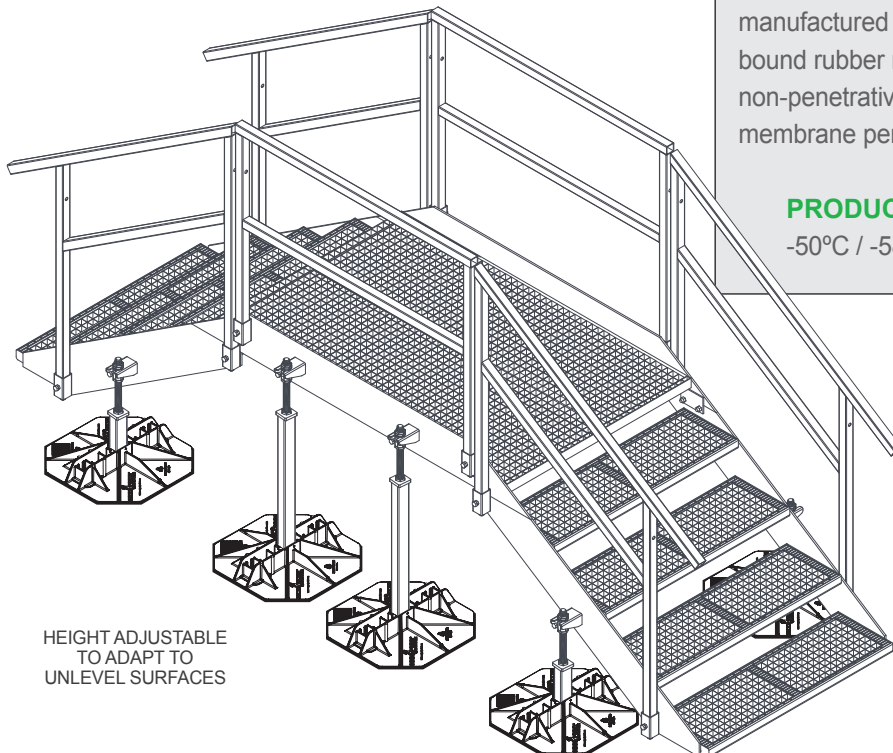
The design can be customized by the number of stairs required for vertical clearance and the platform for horizontal clearance.

SPECIFICATION REFERENCE:

EcoFoot Safety Stairs to be installed, constructed of 2x2" box section and flat plate mild steel, hot dipped galvanized finished with open grid landings and stair treads. Product is North American engineered and manufactured from local raw materials in an eco-friendly method, minimizing waste and environmental impact. Metalwork to be supported by North American designed and manufactured UV stabilized 17.5" x 17.5" EcoFoot bases, with height adjustable hot dipped galvanized leg assemblies and spun galvanized finish fixings. EcoFoot bases to rest on North American manufactured UV stabilized recycled pre-polymer bound rubber mats. Safety Stairs are non-penetrative and are designed to avoid roof membrane penetration.

PRODUCT WORKING CONDITIONS:

-50°C / -58°F to +83°C / 181°F



HEIGHT ADJUSTABLE
TO ADAPT TO
UNEVEN SURFACES

For installations requiring seismic bracing or extreme wind loading, the EcoFoot Seismic Kit can be used to secure the base safely to the rooftop while satisfying requirements and producing a safe, secure water-tight seal to avoid roof leaks.



EcoFoot – Safety Walk

for safe, secure personnel access

DESCRIPTION:

The EcoFoot Safety Walk provides a clear route for rooftop traffic and is designed for quick, non-penetrative installation.

Utilizing two main components, a custom pathway can be designed by using stock products. The only thing required for installation is a wrench. No cutting, no welding... simple!

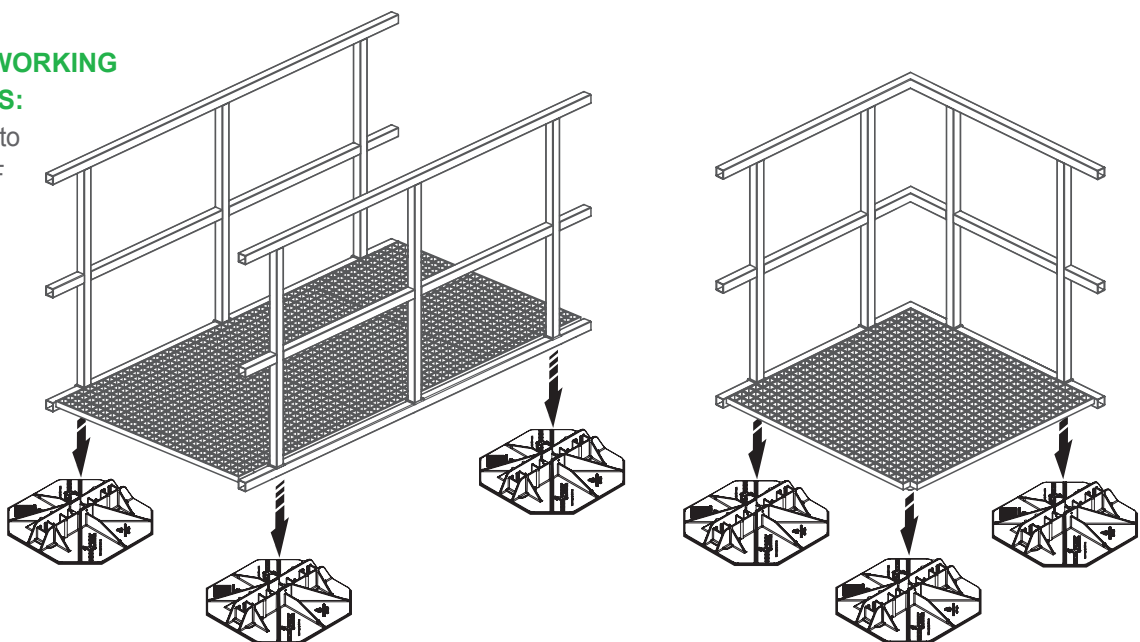
For installations requiring seismic bracing or extreme wind loading, the EcoFoot Seismic Kit can be used to secure the base safely to the rooftop while satisfying requirements and producing a safe, secure water-tight seal to avoid roof leaks.

SPECIFICATION REFERENCE:

EcoFoot Safety Walk to be installed, constructed of 2x2" box section and flat plate mild steel, hot dipped galvanized finished with open grid landings and stair treads. Product is North American engineered and manufactured from local raw materials in an eco-friendly method, minimizing waste and environmental impact. Metalwork to be supported by North American designed and manufactured UV stabilized 17.5" x 17.5" EcoFoot bases. EcoFoot bases to rest on North American manufactured UV stabilized recycled pre-polymer bound rubber mats. Safety Walk is non-penetrative and is designed to avoid roof membrane penetration.

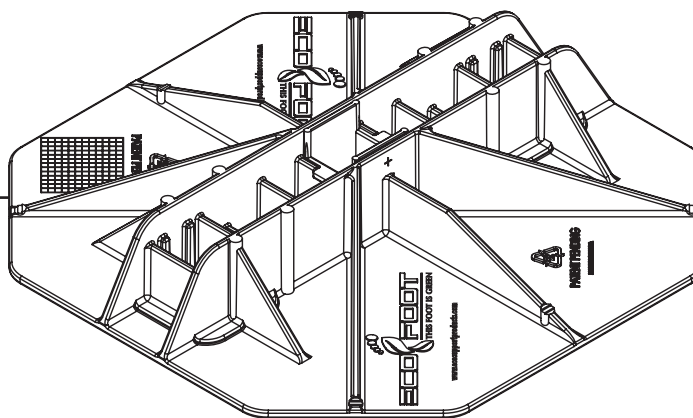
PRODUCT WORKING CONDITIONS:

-50°C / -58°F to
+83°C / 181°F





Chemical Properties



	Typical Value (English)	Typical Value (SI)	Test Base
GENERAL			
Density	0.0349 lb/in ³	0.965 g/cm ³	ASTM D4883
Melt Index (190C/2, 16gk)	0.2829oz/10 min	8.2 g/10 min	ASTM D1238
THERMAL			
Deflection Temp. Under Load (66PSI) - Unannealed	181°F	83°C	ASTM D648
Deflection Temp. Under Load (264PSI) - Unannealed	119°F	48°C	ASTM D648B
Peak Melting Temperature	275°F	135°C	ASTM D3418
MOULDED PROPERTIES			
Tensile Strength at Yield	4,200 psi	29 MPa	ASTM D3638
Elongation at Break	50%	50%	ASTM D638
Flexural Modulus – 1% secant	170,000 psi	1,200 MPa	ASTM D790B
Environmental Stress-Crack Resistance 10% Igepal, F50	2h	2h	ASTM D1693B
IMPACT			
Notched Izod Impact (-40°C)	1.0 ft-lb/in	55 J/m	ASTM D256
LOADING			
Refer to EcoFoot Engineering Tables			



EcoBlok

for light support solutions

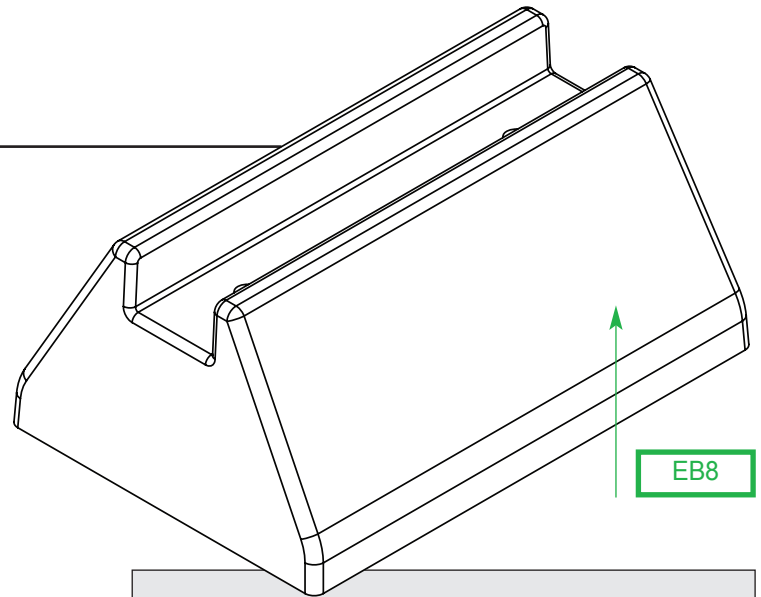
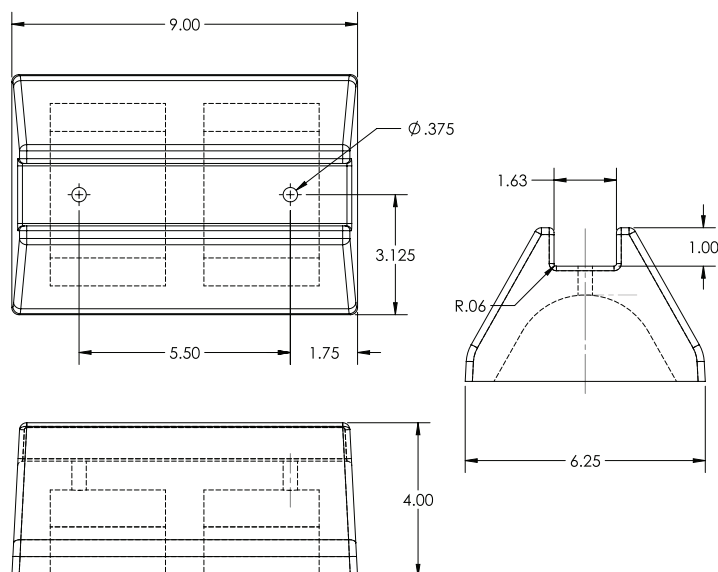
DESCRIPTION:

The EcoBlok is designed for applications with light support requirements. It's an eco friendly solution to using lumber and other miscellaneous supports below pipe and small equipment on rooftops.

The EcoBlok can accommodate standard 1-5/8" strut, for all accessories and standard fittings.

Each EcoBlok is made from recycled tires and UV stabilized for long lasting support. The design and materials of the EcoBlok provide vibration dampening, perfect for protecting the rooftop and reducing vibration noise below.

DIMENSIONS:



SPECIFICATION REFERENCE:

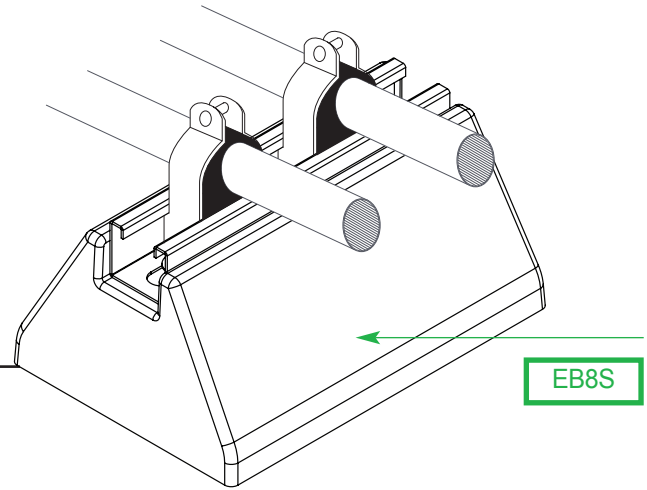
Product to be supported on EcoBlok, made from 100% recycled Canadian content. Product designed to adapt to 1-5/8" strut, secured to block by nut and bolt (glue and adhesive – not sufficient and not accepted). EcoBlok is UV stabilized and non-penetrative for longevity and roof membrane protection.

The EcoBlok is constructed from a hot compression moulded process combining granulated ambient SBR 8-20 mesh, mixed with UV stabilized binding agent.

Product confirms to USA Standard ASTM F 1292-99.

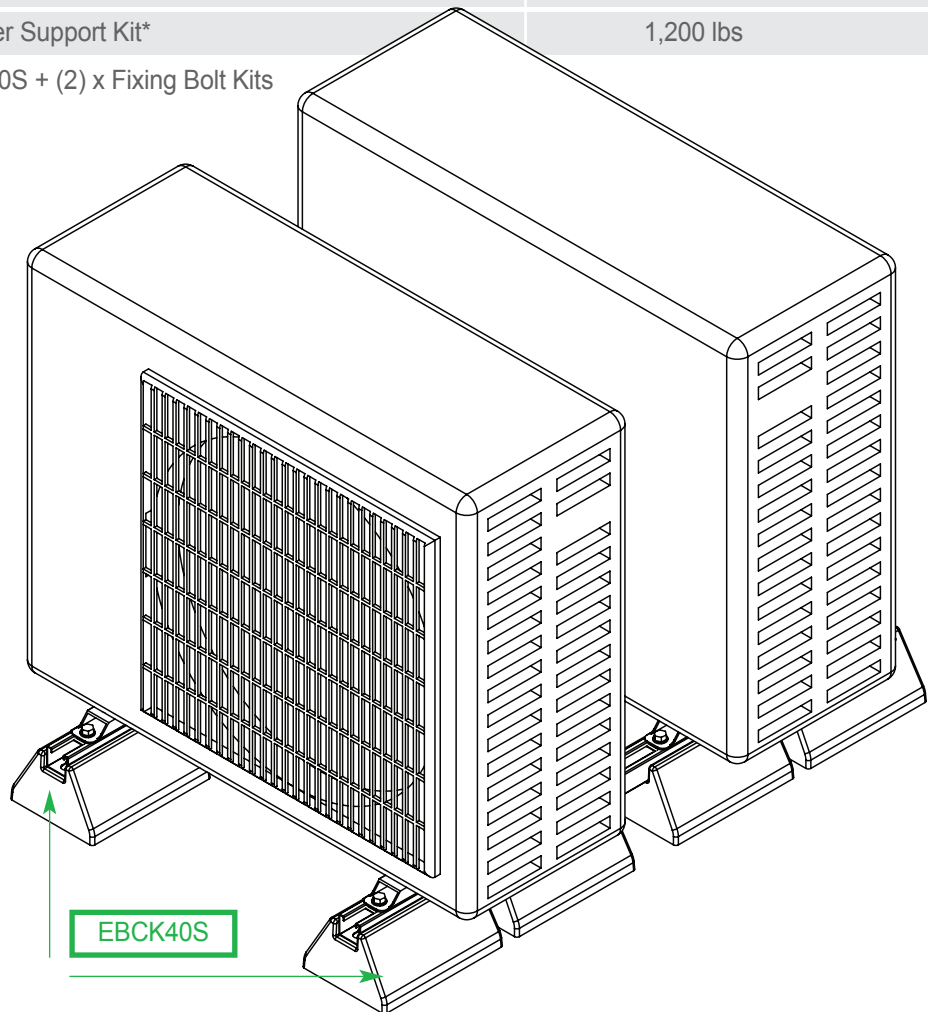
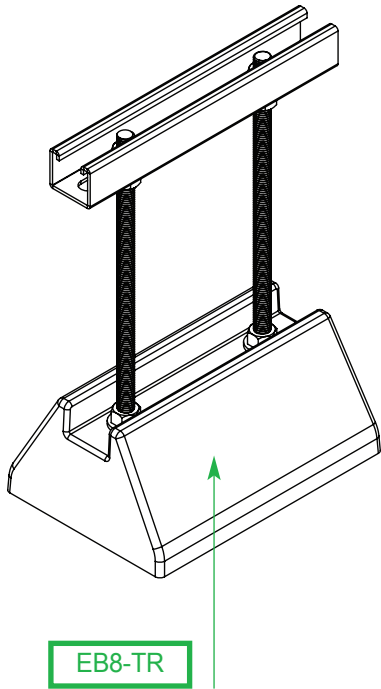
Each block is designed to support a load of 100 lbs for safe roof loading. For larger loads, multiple EcoBlocs can be combined for greater weight dispersion.

EcoBlok Applications



PART NO.	DESCRIPTION	MAXIMUM LOAD
EB8	Raw rubber block – no strut attached	100 lbs
EB8S	8" top length, strut attached	150 lbs
EB8-TR	EcoBlok with 8" top length strut - height adjustable from 4"- 14"	75 lbs
EB24S	24" top length, strut attached	300 lbs
EB40S	40" top length, strut attached	600 lbs
EBCK40S	EcoBlok - Condenser Support Kit*	1,200 lbs

*Includes: (2) x EB40S + (2) x Fixing Bolt Kits





Canadian Inquiries: MATTHEW BALABAN
Tel: 519.777.7789 or email: matthew@ecofoot.ca

U.S. Inquiries: BOB REID
Tel: 936.242.1723 or email: bob@ecosupportproducts.com