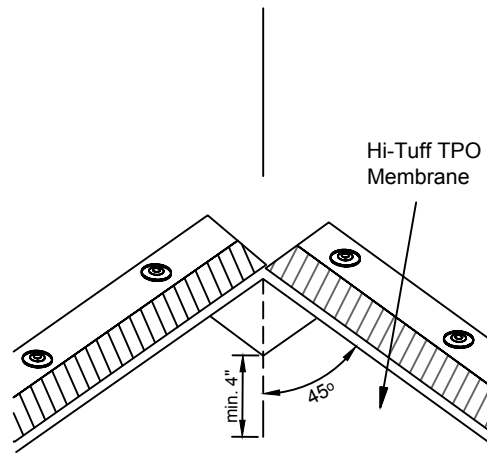
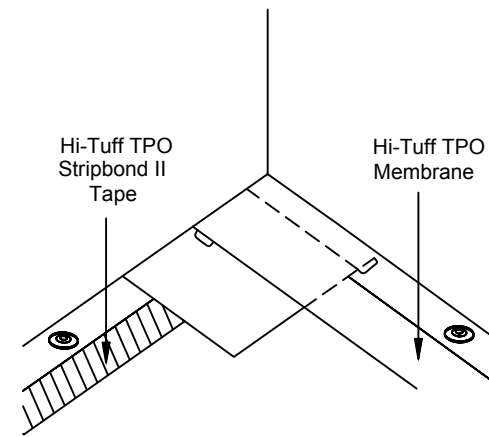


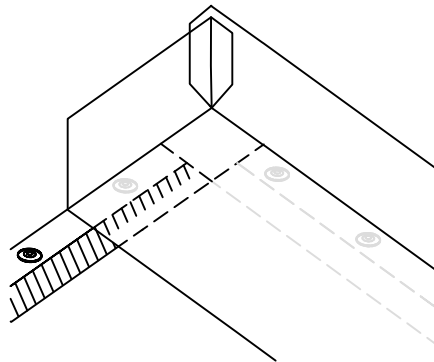
1. Position membrane at corner and cut 45 degree angle along dashed line as indicated.



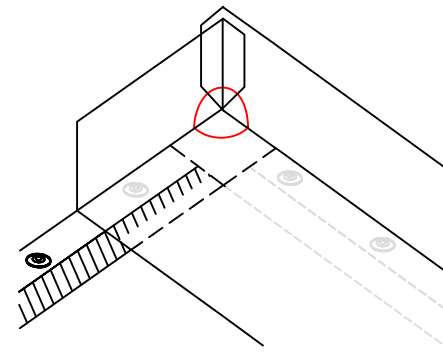
2. Cut membrane out at corner area and position membrane into corner.



3. Fold membrane back onto itself and apply Primer/Adhesive to back surface of Hi-Tuff TPO membrane where it will contact the Stripbond II Tape. Apply adhesive to wall substrate.



4. Adhere membrane to Stripbond Tape and apply up wall to approved termination. Cut and install membrane at corner as shown. Roll top surface of membrane with a 5 cm silicone roller over tape. Heat weld the membrane overlap.



5. Apply inside flashing in accordance with detail H-S-301 and provide an option for pre-molded corners.



Inside Corner - 2

ROOFING SYSTEMS DETAIL

Scale:

Date: 26/01/2024

Detail no.: H-S-302