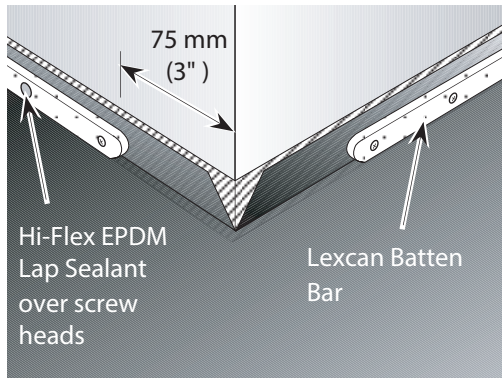
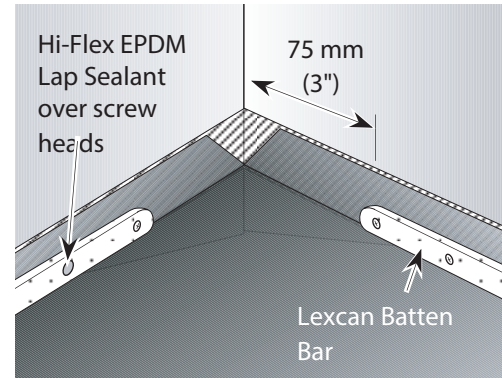


Outside Corner

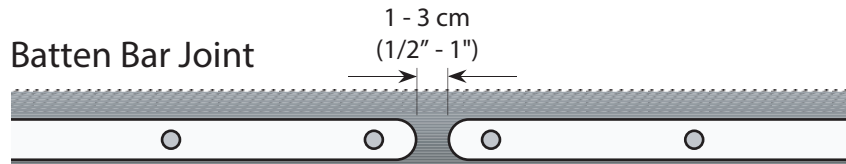


Fasten Lexcan Batten Bar to outside corner with Lexgrip™ Fasteners on 15 cm (6") centres .

Inside Corner



Fasten Lexcan Batten Bar to inside corner with Lexgrip™ Fasteners on 15 cm (6") centres.



Comments: These details also apply to Termination Bars.



Batten Bar Method (Joints and Corners) Roofing System Detail

Scale: Not to scale
Date: August, 2016
Detail No.: L-S-121-2b