



GUARDRAILS FOR SKYLIGHTS

Installing a guardrail around skylights on your roof provides optimal safety for workers who need to visit the roof. In fact, according to NBC standard 2.9.2 and OSHA 1926.501(b)(4)(i), all working/walking surface must be protected by a guardrail, including skylights. Are you compliant?

FEATURES

- Tailor-made to your needs
- No damage to the roof because 100% non-penetrating
- Anodized aluminum railing
- Highly adherent recycled rubber base
- Can be installed directly on the membrane
- Ultimate resistance to rust and deterioration caused by rain, temperature changes and acidic environments
- Quick and easy installation
- Compliance report included
- 10-year warranty*
- Made in Canada
- Complies with NBC, OSHA standards

TWO POSSIBILITIES



CLAMP STYLE

Economical and versatile, it can be installed on all skylights with a minimum vertical surface area of 2".

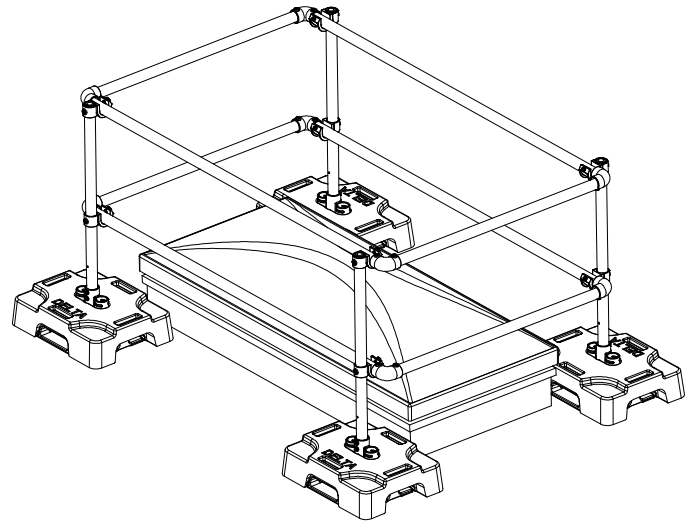
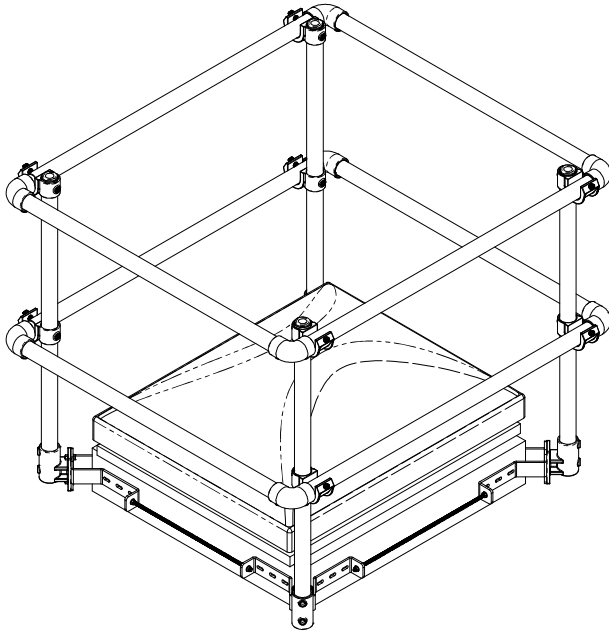


COUNTERWEIGHT STYLE

Simple and quick to install, it provides safety around your low-profile skylights or when it is impossible to install our clamping system.

TYPES OF INSTALLATION

Clamp-on system			On counterweight	
Up to 29" x 29"	Up to 42" x 42"	Up to 62" x 62"	34" X 55" maximum	54" X 75" maximum
SGTR2901	SGTR4201	SKYKIT-TR-62	SKYKIT-CW-55	SKYKIT-CW-75



TECHNICAL SHEET

Height:	42"
Max distance between upright:	120"
Counterweight:	50 lb/base
Counterweight material:	Recycled rubber, galvanized cast iron with rubber mat
Railing & upright material:	6061-T6 anodized aluminum
Railing & upright OD:	1,9"
Junction & clamp material:	Galvanized steel
Hardware material:	Stainless steel
Set screw torque:	30 lb/pi (GA201: 20 lb/pi)
Usage:	Permanent, temporary
Design patent:	#162630
Complies with:	RSST: 12 NBC : 4.1.5.14 OSHA : 1926.502, 1926.501 Ontario Building Code : 4.1.5.14 WorkSafeBC : 11.2
Warranty:	10 year