



GUARDRAILS FOR ROOF ACCESS HATCH

The roof hatch guardrail protects access to the hatch and provides handholds to increase safety entering or exiting the ladder. This guardrail also prevents falls into the hatch when it is left open.

FEATURES

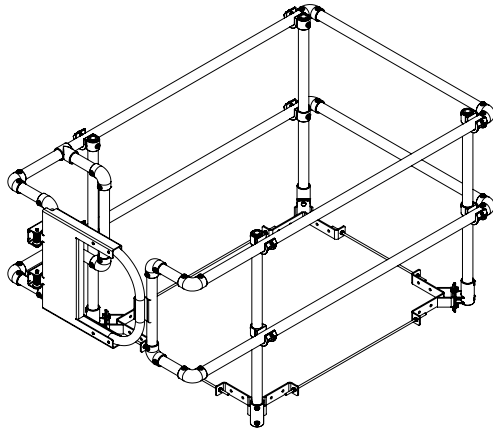
- Adapts to access hatches of all sizes
- Attaches to the hatch without damaging the roof membrane
- Lightweight and rust resistant aluminum railing
- Self-closing adjustable safety gate included
- Handle for easy entry and exit included
- Quick and easy installation
- 10-year warranty
- Made in Canada
- Complies with NBC, OSHA standards

HOW IT WORKS

Thanks to the design developed in-house exclusively for this application, the Delta Prevention's access hatch guardrail kit can be easily installed on access hatches of all styles and sizes. Thanks to integrated rubber pads, the clamp-on installation is safe for the membrane and is 100% perforation-free. The same clamp also allows for bolted installation if necessary.

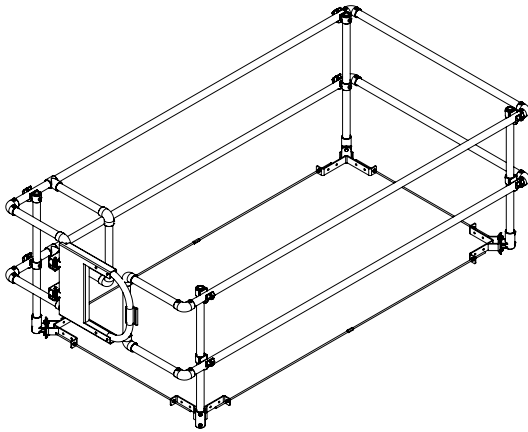


TYPES OF INSTALLATION



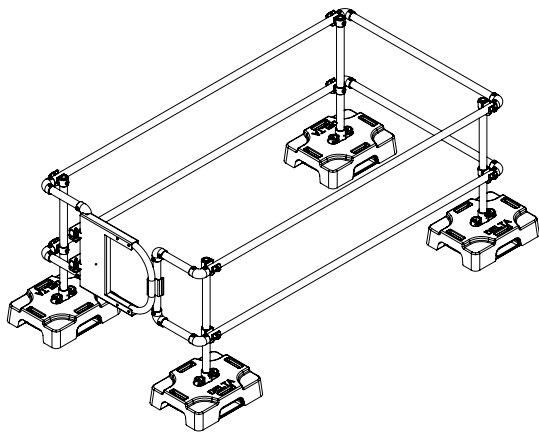
ITEM # HGKTSF01

Guardrail kit for access hatch of up to 36" x 48"



ITEM # HGKTOS01

Guardrail kit for access hatch of up to 104" x 52"



COUNTERWEIGHTED GUARDRAIL KIT

Configured according to your needs!

TECHNICAL SHEET

ITEM # HGKTSF01

(installed on a roof hatch of 36" x 48")

Length:	78.82"
Guardrail height:	42"
Overall width:	48.55"
Landing zone depth:	18.5"
Safety gate opening:	24" - 36"
Rails & posts:	6061-T6 anodized aluminum
Rails & posts - outside diameter:	1,9"
Rails & posts - inside diameter:	1,610"
Clamps - material:	Malleable cast iron with hot-dip galvanizing & electroplating
Clamps - hardware:	Stainless steel
Clamps - tightening torque:	30 lb/pi
Application:	Permanent
Warranty:	10 year

Complies with:
 RSST: 12
 CNB: 4.1.5.14
 OSHA: 1926.502, 1926.501
 Ontario Building Code: 4.1.5.14
 WorkSafeBC: 11.2

ACCESSORIES



Grab handle

The handle can be installed easily on the guardrail kit to further increase safety when exiting or entering the ladder.

ITEM: HGGBAR01
 Material: Aluminum