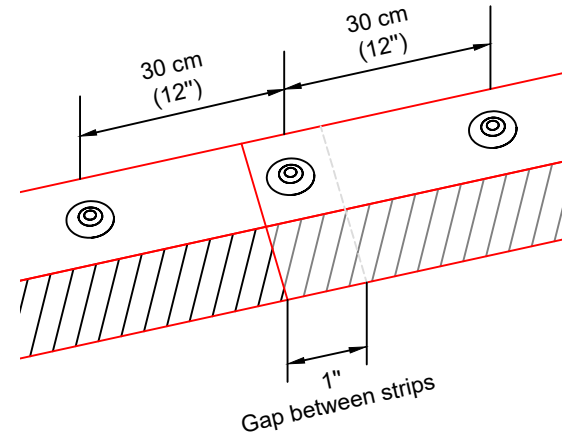
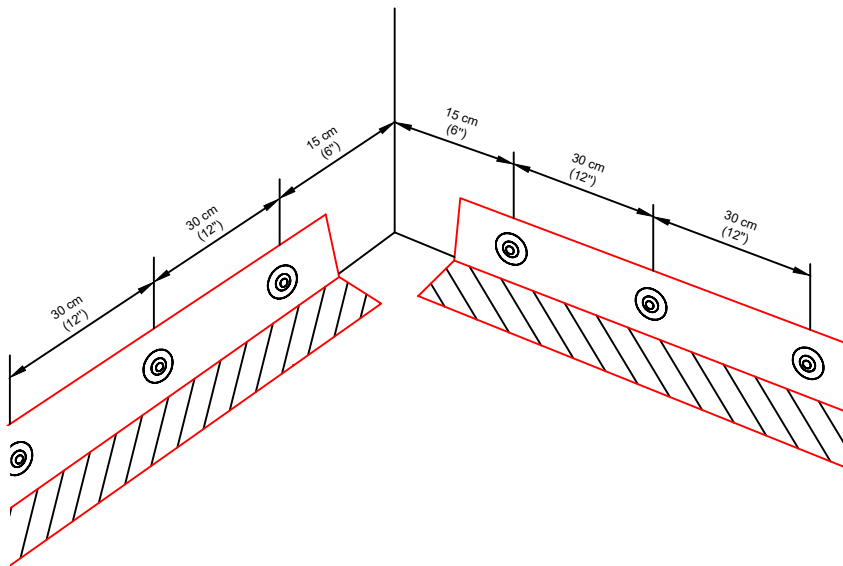




Hi-Tuff TPO Stripbond II Ends (Option 1)  
H-E-020-1



Hi-Tuff TPO Stripbond II Inside Corners (Option 2a)  
H-E-020-2a



Hi-Tuff TPO Stripbond II Outside Corners (Option 2-b)  
H-E-020-2b

