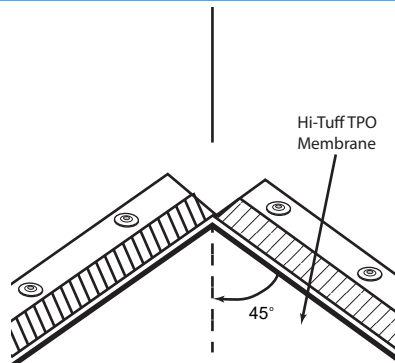
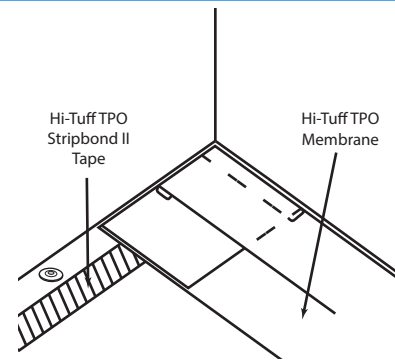


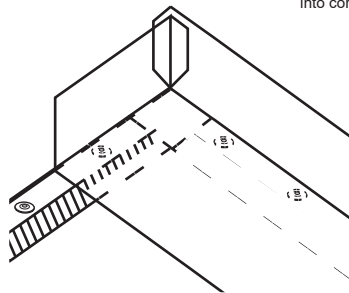
1. Position membrane at corner and cut a 45 degree angle along dashed line as indicated.



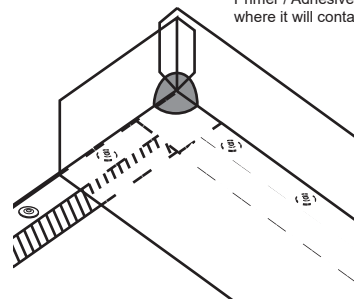
2. Cut membrane out at corner area and position membrane into corner



3. Note: Fold membrane back onto itself and apply Primer / Adhesive to back surface of Hi-Tuff TPO membrane where it will contact the Stripbond II Tape.



4. Adhere membrane to Stripbond Tape and apply up wall to approved termination. Cut and install membrane at corner as shown. Roll top surface of membrane with a 5 cm silicone roller over tape.



5. Apply inside corner flashing in accordance with detail H-S-301.



Inside Corner (Using Hi-Tuff TPO P.S. Stripbond II Strips) Roofing System Detail

Scale: Not to scale

Date: August, 2016

Detail No.: H-S-302