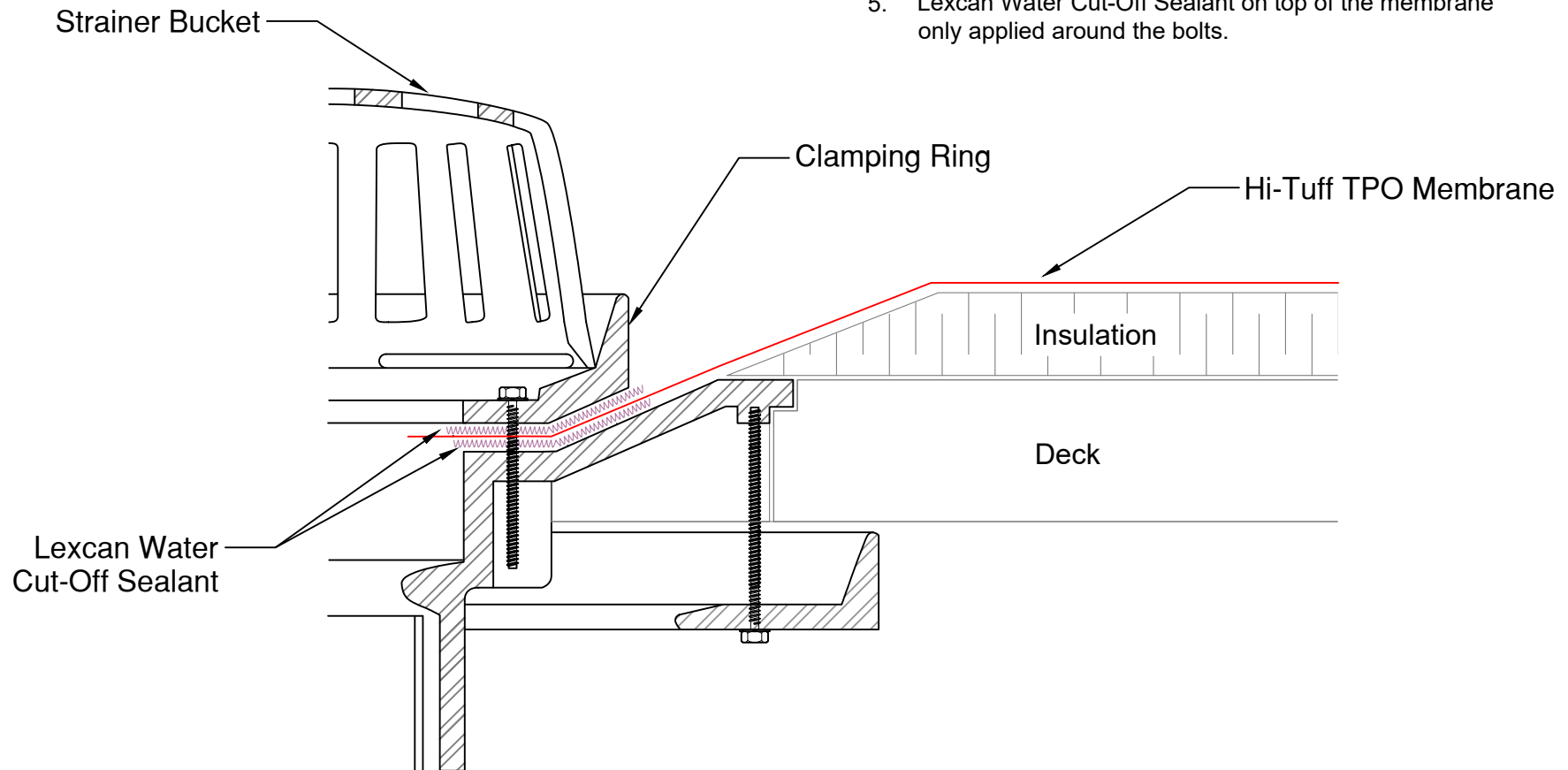




- Notes:
1. All drain bolts or clamps must be in place to provide compression on Water Cut-Off.
  2. Cut membrane so it extends a minimum of 13mm (1/2") from attachment points of the clamping ring.
  3. Cut edge sealant is required on cut edges of Hi-Tuff TPO membrane.
  4. Seam overlap direction to be reversed if main field membrane is Hi-Tuff Fleece-Backed Membrane.
  5. Lexcan Water Cut-Off Sealant on top of the membrane only applied around the bolts.



Drains with tapered Sumps greater than 3:12  
ROOFING SYSTEMS DETAIL

Scale:
Date: 13/10/2023
Detail no.: H-S-323